

Technical data sheet

Product features



Vacuum packing machine 20 m3/h, 460 mm + gas kit

Model	SAP Code	00013551
--------------	-----------------	----------



- Vacuum pump power [m3/h]: 20
- Length of sealing bar [mm]: 460
- Width of internal part [mm]: 470
- Depth of internal part [mm]: 530
- Height of internal part [mm]: 210
- Control type: Digital
- Gas flush: Yes
- Number of programs: 10
- Sealing time adjustment: Yes
- Vacuum time adjustment: Yes
- Lid security element: Yes
- Manometer: Yes

SAP Code	00013551	Loading	230 V / 1N - 50 Hz
Net Width [mm]	545	Vacuum pump power [m3/h]	20
Net Depth [mm]	655	Length of sealing bar [mm]	460
Net Height [mm]	540	Width of internal part [mm]	470
Net Weight [kg]	67.00	Depth of internal part [mm]	530
Power electric [kW]	0.750	Height of internal part [mm]	210

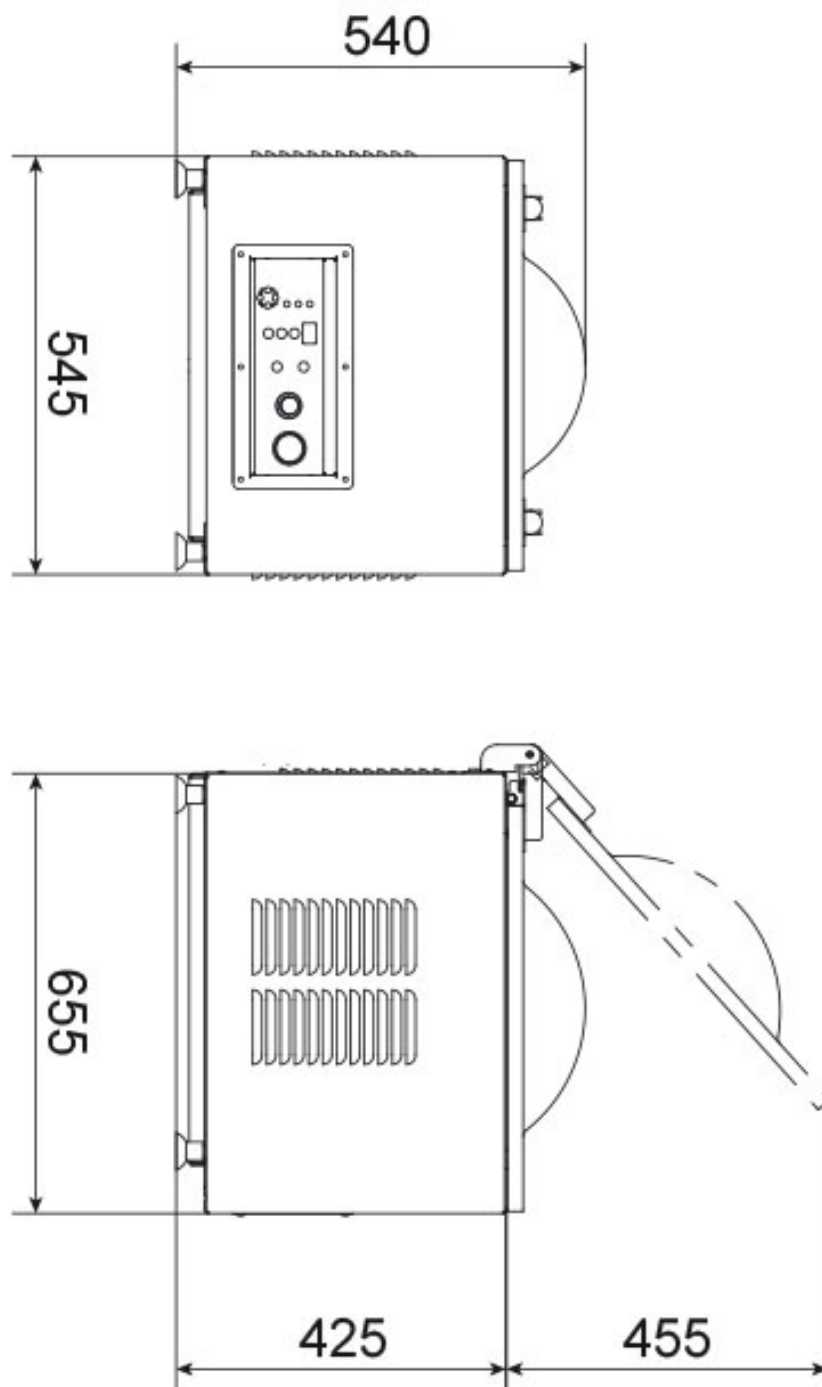
Technical data sheet

Technical drawing



Vacuum packing machine 20 m³/h, 460 mm + gas kit

Model	SAP Code	00013551
--------------	-----------------	----------



Technical data sheet

Product benefits



Vacuum packing machine 20 m3/h, 460 mm + gas kit

Model	SAP Code	00013551
--------------	-----------------	----------

- 1 Adjustable welding time**
tighter packaging closure
 - greater security of closure
 - less error in operation
- 2 Convex plexiglass cover**
greater variability of vacuuming
 - possibility to vacuum larger quantities at once
- 3 Stainless steel chamber**
endurance
easy maintenance
 - easy to maintain thanks to the stainless steel chamber
 - hygienic cleanliness
- 4 Softair slow return of air to the chamber**
care for the product and the bag
 - softair eliminates the risk of damage to the bag and the vacuumed food, thus saving costs
- 5 Rubber feet**
vibration elimination
 - nižší hlučnost zařízení
 - prodloužení životnosti
- 6 Inert gas**
variability of use
 - safe vacuuming of even the most delicate foods
seafood, fish...

Technical data sheet

Technical parameters



Vacuum packing machine 20 m3/h, 460 mm + gas kit

Model	SAP Code	00013551
--------------	-----------------	----------

1. SAP Code:

00013551

2. Net Width [mm]:

545

3. Net Depth [mm]:

655

4. Net Height [mm]:

540

5. Net Weight [kg]:

67.00

6. Gross Width [mm]:

700

7. Gross depth [mm]:

700

8. Gross Height [mm]:

620

9. Gross Weight [kg]:

96.00

10. Device type:

Electric unit

11. Material:

Stainless steel

12. Power electric [kW]:

0.750

13. Loading:

230 V / 1N - 50 Hz

14. Control type:

Digital

15. Safety cover:

transparent plexiglass

16. Safety element:

lid opening fuse

17. Main switch:

Yes

18. Timer:

Yes

19. Gas flush:

Yes

20. Vacuum pump power [m3/h]:

20

21. Length of sealing bar [mm]:

460

22. Number of programs:

10

23. Sealing time adjustment:

Yes

24. Vacuum time adjustment:

Yes

25. Lid security element:

Yes

26. Manometer:

Yes

27. Width of internal part [mm]:

470

28. Depth of internal part [mm]:

530

Technical data sheet

Technical parameters



Vacuum packing machine 20 m³/h, 460 mm + gas kit

Model

SAP Code

00013551

29. Height of internal part [mm]:

210

30. Cross-section of conductors CU [mm²]:

0,5

– Výkon (kW): 2,4-3,3 (230 V)